

PROFIdrive System Description

Technology and Application

PROFI[®]
BUS

PROFI[®]
NET

Introduction

In the dynamically developing industrial communications arena, automation is continuously evolving. Initially, automation focused exclusively on the production operation, but now it is part of a network that goes beyond the automation task itself to include service and maintenance, warehousing, resource optimization, and the provision of data for MES and ERP systems. A driving force for this trend has been and continues to be fieldbus technology, which has facilitated migration from centralized to decentralized automation systems and supports the use of distributed intelligence. Ethernet-based communication systems provide a link between automation technology and information technology, thereby enabling system-wide communication from the field level up to the corporate management level.

Industrial communication systems, in particular, have to be capable of meeting the requirement for an integrated approach. PROFIBUS and PROFINET represent solutions that combine full integration with a high level of application orientation. With its standard protocol, PROFIBUS communication takes in all system components from machines and production and process automation to safety-related communication and drive/motion control applications, and provides the ideal basis for ensuring horizontal automation system integration. PROFINET also features a standard protocol which, in addition to horizontal communication, also supports vertical communication from the field level up to the corporate management level. Both communication systems facilitate cross-sector, networked, integrated solutions that are optimized for each automation task.

The main reason why PROFIBUS and PROFINET stand out from other industrial communication systems is because they offer such an extraordinary range of applications. Not only have application-specific requirements been implemented into application profiles, but these applications have also been combined to create a standardized and open communication system. This provides the basis for ensuring outstanding investment protection for both users and manufacturers.

Drive technology represents one of the most important applications within industrial automation. This is apparent from the simple fact alone that drives transform, on average, 60% of the electrical energy consumed. The tasks performed

by drives and, thus, the requirements for the drive technology vary considerably, depending on the particular industry and/or field of application. These include:

- Drives with fixed and variable speed, such as pumps, fans, and compressors, and drives for transport tasks
- Single-axis positioning controllers for applications, such as moving, adjusting, and positioning
- Servo drives with central interpolation, such as those found in machine tools, robots, and production machines

With such a diverse range of requirements, a technology that is flexible as well as adaptable to future requirements is needed to serve as the basis for efficient implementation into products. As a general principle, drives can be controlled very easily using the digital drive interface with all its functions. The way in which this communication connection is modeled is irrelevant when it comes to any individual drive. Existing products can be upgraded by simply transferring the device and communication models already in the drive to PROFIBUS and PROFINET. But, products can only be replaced with products of the same manufacturer or the same product family. For a drive user, it is also important to be able to select from drives made by various manufacturers having an identical communication interface in order to use the optimum product for the particular application.

This is only possible with a standardized drive interface such as PROFIdrive for PROFIBUS and PROFINET. This application-oriented profile, which has been standardized in IEC 61800-7, contains standard definitions (syntax and semantics) for communication between drives and automation systems for PROFIBUS and PROFINET, thus assuring vendor neutrality, interoperability, and investment protection.

The PROFIdrive application profile provides the foundation for almost every drive task in the field of industrial automation engineering. It defines the device behavior and the process for accessing drive data of electric drives on PROFIBUS and PROFINET and also optimally integrates the additional PROFIsafe and PROFInergy profiles.

Table of Contents

1. OVERVIEW	1	6. ADDITIONAL PROFILES	10
1.1 STANDARDIZATION	1	6.1 PROFISAFE	10
1.2 STRUCTURE	1	6.2 PROFIENERGY	11
1.3 SAFETY	1	7. MAPPING TO PROFIBUS AND PROFINET	11
1.4 ENERGY EFFICIENCY	2	7.1 MAPPING TO PROFIBUS DP	11
2. PROFIDRIVE BASE MODEL	2	7.2 MAPPING TO PROFINET IO	12
2.1 DEVICE CLASSES	2	8. CONFORMITY AND CERTIFICATION	12
2.2 OBJECT MODEL IN THE P DEVICE	2	8.1 QUALITY CONTROL THROUGH	12
2.3 COMMUNICATION SERVICES	3	CERTIFICATION	12
2.4 PROFIDRIVE SERVICES	4	8.2 PROFIDRIVE CERTIFICATION	13
3. PROFIDRIVE PARAMETER MODEL	5	9. ENGINEERING	13
3.1 PROFILE-SPECIFIC PARAMETERS	5	9.1 TOOL CALLING INTERFACE (TCI)	13
3.2 VENDOR-SPECIFIC PARAMETERS	5	10. USER BENEFITS	14
4. PROFIDRIVE APPLICATION MODEL	6	11. PROFIBUS & PROFINET INTERNATIONAL (PI)	15
4.1 APPLICATION CLASSES	6	11.1 RESPONSIBILITIES OF PI	15
4.2 ADDITIONAL FUNCTIONS	7		
5. DIAGNOSTICS	8		
5.1 WARNINGS	8		
5.2 FAULTS	8		
5.3 INTEGRATION INTO STANDARD			
DIAGNOSTIC MECHANISMS	9		

Notes on Content

This document describes all essential aspects of the PROFIdrive technology and reflects the level of technology available at the end of 2010. Its objective is to provide a comprehensive description of the drive profile of the PROFIBUS and PROFINET communication systems without entering into specific details.

This system description not only offers sufficient information to readers with a basic knowledge who are interested in obtaining an overview, but it also introduces experts to more extensive specialized literature. In this regard it must also be noted that, despite the care taken in preparing this document, the normative PI (PROFIBUS & PROFINET International) documents alone are authoritative and binding.

Chapter 1 provides an introduction to how the PROFIdrive profile came about and the principles according to which it is structured.

Chapters 2 to 6 deal with the core aspects of PROFIdrive and any repetition of the subject matter that appears in Chapter 1 is intentional for reasons of completeness.

Chapter 7 describes how the PROFIdrive profile is mapped to PROFIBUS and PROFINET.

Chapter 8 outlines the test procedure for obtaining a certificate.

Chapter 9 briefly describes the engineering.

Chapter 10 explains the advantages of using PROFIdrive.

Chapter 11 concludes the document with information on the mode of action and internal structures of PI.

In the interest of ensuring clarity and because they are distributed throughout the world, official PI documents are drafted exclusively in English.

1. Overview

PROFIdrive is the standard profile for drive technology in conjunction with the PROFIBUS and PROFINET communication systems. The use of open “application profiles” is a tried-and-tested way of using communication systems to connect drives and controllers from different manufacturers in an integrated and straightforward way.

The PROFIdrive profile has been specified by a working group made up of numerous device manufacturers under the PI (PROFIBUS & PROFINET International) umbrella. This working group is also responsible for continuous updates and enhancements.

Work on the profile can be traced back to 1991 when the focus was on PROFIBUS DP. In 2002 the extended functions of PROFIBUS DP-V2 were introduced in Version 3.1 of the profile. The incorporation of PROFINET as an additional communication system (indicated by version number 4) occurred starting in 2005; version 4.1, which is the version referenced by this system description, has been available since 2006.

To satisfy the wide range of industrial automation applications for drives, PROFIdrive defines six specific application classes. These can be implemented independently, thus enabling an optimized interface for the particular application or industry sector. (In other words, every drive only has to have what it really needs!) Depending on the application class, the application processes are distributed optimally between the drive (e.g. current control, speed control) and controller (e.g. position control, path interpolation). The communication system is then responsible for data exchange between these distributed processes. Depending on the application class, extended communication functions are used for clock synchronization or slave-to-slave communication.

The profile has been standardized at PI and within the IEC and comprehensively documented in the relevant specification (PI Order No. 3.172).

1.1 Standardization

At the initiative of the ZVEI working group “PG Antriebsschnittstelle”, a project was initiated within the IEC for the purpose of specifying a standardized drive interface that could be integrated in an international standard. This resulted in the three-part IEC standard IEC 61800-7 “Generic interface and use of profiles for power drive systems”.

The fact that PROFIdrive has been standardized in IEC 61800-7 and is recommended by various international institutions such as OMAC means that its future as an internationally accepted standard is guaranteed.

1.2 Structure

The basic specifications in the PROFIdrive standard are as follows (Figure 1):

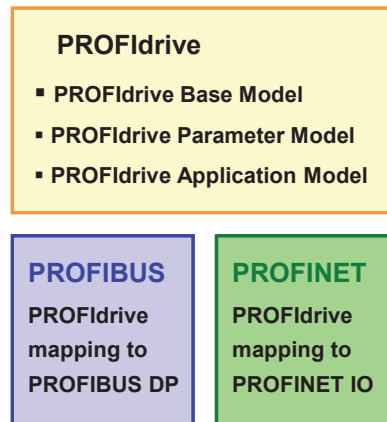


Figure 1: Architecture of PROFIdrive

- Base model definition
- Parameter model definition
- Application model definition
- Mapping to PROFIBUS DP
- Mapping to PROFINET IO

The main part of the profile (yellow box in Figure 1) describes functions that are independent of the communication system and that serve to ensure that an application can be operated with PROFIBUS DP and PROFINET IO without any changes. As a result of these functions and with the use of scalable communication (from a basic fieldbus to a system-wide Ethernet network with identical application view), the drive technology can be linked consistently and without changes to the automation application.

1.3 Safety

Increasingly, the market is showing a trend towards drives that have integrated safety technology. This offers an advantage in the sense that there is no longer any need for external monitoring devices (reduces wiring and saves space). From this point of view, PROFIdrive and PROFIsafe are the perfect complement to one another. Together, the two profiles create a harmonious unit that enables the same bus to be used to control safety functions and standard drive functions. In addition, this enables simultaneous motion control and safety control of a drive (shared device mode).

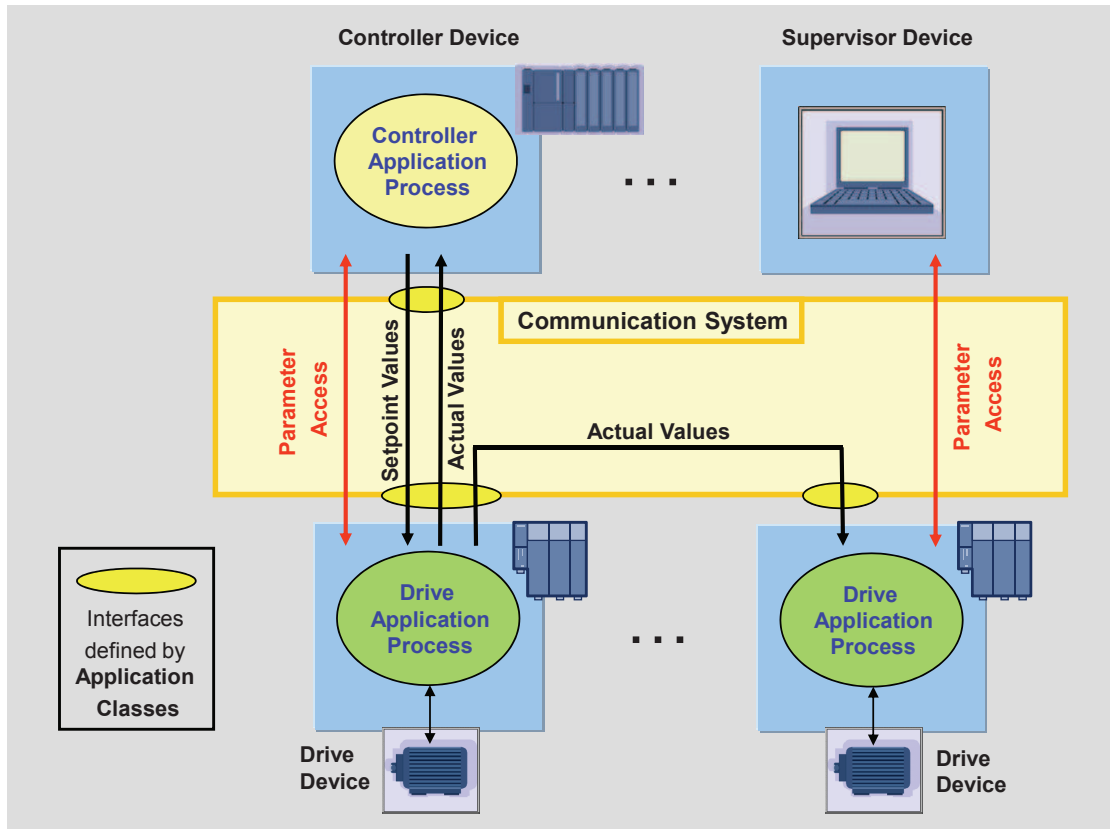


Figure 2: General PROFIdrive drive application model

1.4 Energy efficiency

Precisely in the case of drive technology, which is one of the main electrical energy consumers in industrial automation applications, it is very important to conserve the diminishing and increasingly more expensive energy resources as much as possible. PROFInergy provides a platform that supports standardized control of energy saving features of devices by a higher-level controller. The integration of PROFInergy in PROFIdrive ensures a consistent solution in this case as well.

2. PROFIdrive base model

2.1 Device classes

The PROFIdrive base model defines a general drive application (Figure 2) as a set of devices with associated communication relationships (cyclic and acyclic data exchange), irrespective of the communication system used. The following device classes are distinguished for this (Figure 3):

- Controller: Controller or host of automation system, e.g., PLC, NC, or RC
- Peripheral device (P device): Drive device with one or more axes
- Supervisor: e.g., Engineering Station or HMI

2.2 Object model in the P device

A PROFIdrive drive device (P device) typically consists of one or more functional objects according to the number of axes. Each of these objects represents the functionality of an axis and is referred to as a drive object (DO).

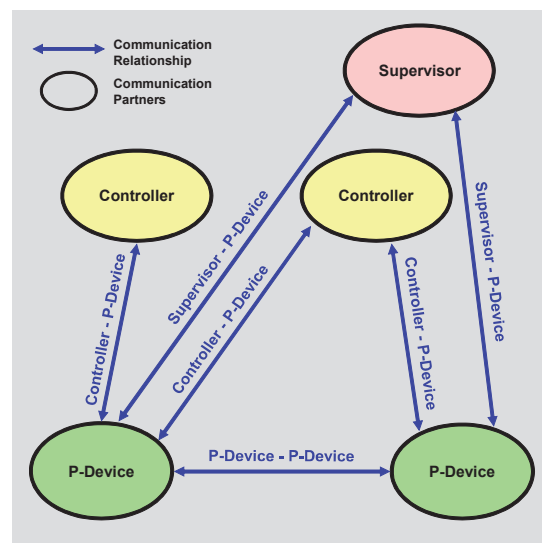


Figure 3: Device classes and their communication relationships

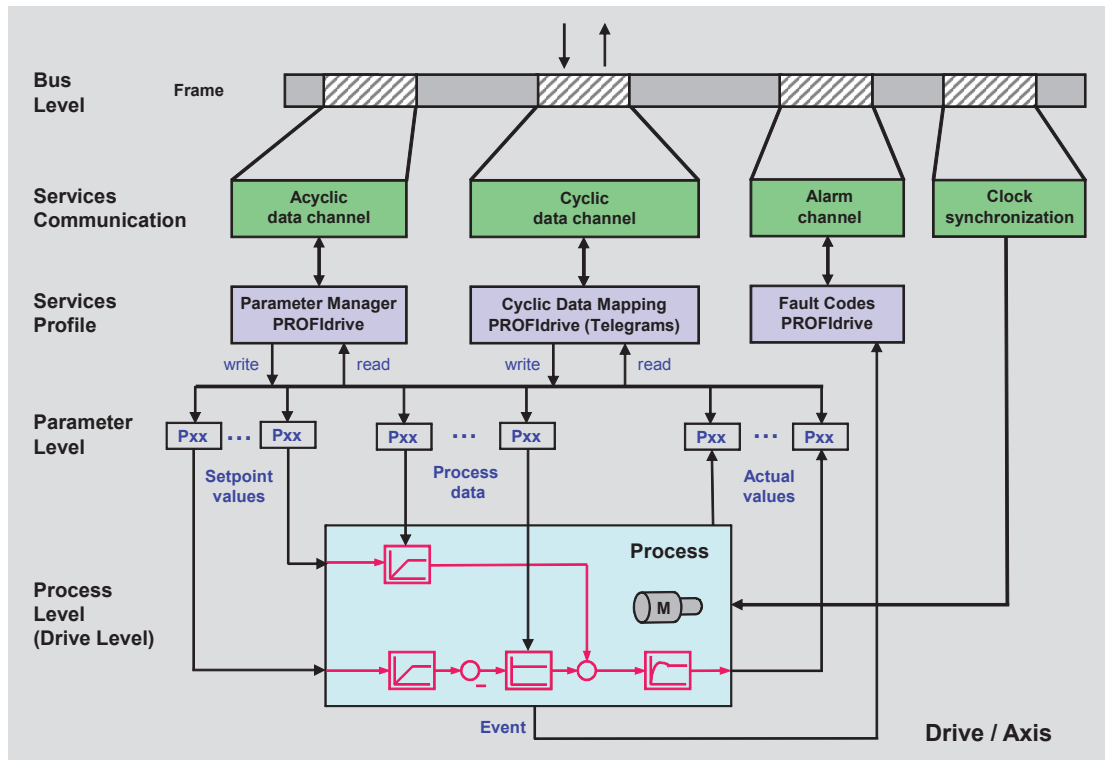


Figure 4: Data model and data flows in a drive axis or PROFIdrive drive object (DO)

In particular, multi-axis drive devices can also be modeled consistently with the PROFIdrive object model.

2.3 Communication services

Cyclic data exchange

During operation of a drive application, the open-loop and closed-loop control processes must be activated cyclically (Figure 4, "Process"). From the point of view of the communication system, this means that new setpoints have to be transferred cyclically from the control application processes to the drives and current actual values also have to be sent in the opposite direction. The cyclical transfer can be carried out both isochronously as well as non-isochronously, depending on the requirements of the application and the selected PROFIdrive application class.

Acyclic data exchange

In addition to the cyclic setpoints and actual values, parameters are used for parameterizing the application processes. The controller accesses these parameters acyclically since this access is not time-critical (Figure 4, "Acyclic data channel"). The parameters can be accessed not only by the controller but also in parallel by a supervisor (commissioning, operator, maintenance station).

Alarm mechanisms

The alarm mechanism (Figure 4, "Alarm channel") is event-controlled and is used to signal the setting and clearing of maintenance or fault conditions of the drive axis and/or device.

Isochronous operation

Any modern drive profile has to be able to support isochronous operation of distributed drives of a drive application, because this is the only way of accurately coordinating the movements of several axes (such as for path traversing in NC/RC systems or for synchronizing movements associated with electronic gears). This means that a drive profile has to fulfill two basic requirements:

- Synchronization of multiple application processes on different devices to a common master clock
- Assurance that cyclic data exchange between processes is completed reliably by a defined point in time so that all relevant input and output data are available on time for further processing

For process synchronization, PROFIdrive makes use of slave clocks that are located in every device and are precisely synchronized with the system's master clock (Figure 5).

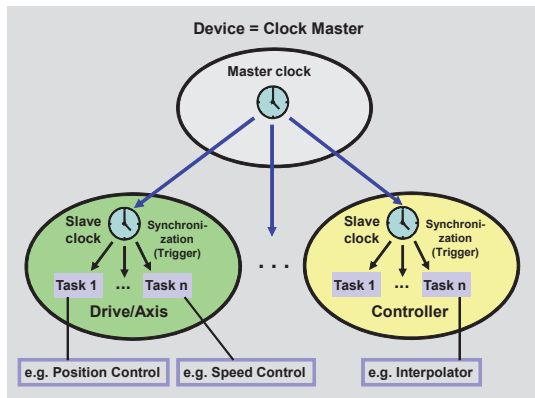


Figure 5: Process synchronization in isochronous mode

For synchronization of the slave clocks, PROFIdrive utilizes the appropriate services of the particular communication system. For PROFIBUS, this functionality is an integral component of DP-V2. For PROFINET IO, it is a component of the isochronous realtime functionality (PROFINET with IRT).

For PROFIdrive, isochronous communication is the basis for drive synchronization. Here, it is not just the frame traffic on the bus system that is realized in an equidistant time base. The internal control loop algorithms, for example for speed and current controllers in the drive or for controllers in the higher-level automation system, are also time-synchronized with one another (Figure 5). For typical drive applications in application classes 4, 5, and 6, the jitter of the clock signal must be guaranteed to be less or equal than 1 μ s.

Slave-to-slave communication

Slave-to-slave communication enables direct data exchange between devices without having to transfer data using master/controller. As a result it is possible for drives to receive actual values from other drives with minimum delay. Easy implementation of high-performance, cross-axis control loops is made possible through this.

This opens up new fields of application, especially in distributed drive applications. An example of this is the transfer of speed setpoints for the purpose of creating a setpoint cascade for paper-, film-, wire-, and fiber-drawing machines.

Slave-to-slave communication is available with both PROFIBUS DP and PROFINET IO.

2.4 PROFIdrive services

Operating modes and basic state machine

A uniform basic state machine is defined for all application classes in PROFIdrive. It is used to bring the drive to a dedicated operating state or switch off the drive in a defined manner.

For application class 3 “Positioning drive”, the basic state machine is extended to include the positioning state machines for controlling the positioning function.

Figure 6 shows the basic state machine (general state diagram) of a PROFIdrive drive. The blue blocks represent drive axis states S1 to S5 and the arrows indicate the state transitions that are possible between them. In case of competing state transitions, priorities are defined by the number of red points shown. The conditions for the state transitions to the yellow boxes are the individual control commands, which are transferred from the controller to the drive axis in the control word with bit coding.

Frames

In cyclic data frames, the control word and the status word form the command interface for the control of the basic state machine by the controller. Individual bits of the control and status words are occupied according to the specific application class.

In addition to the control and status words, the setpoint and actual values of the drive axis are transferred via the cyclic interface.

PROFIdrive describes the cyclic data interface as a string of signals. In this regard, PROFIdrive signals are control and status words as well as setpoints and actual values. The signal number serves to uniquely define the content of a signal as well as its transfer format.

For simplification purposes, typical cyclic interface implementations of PROFIdrive are defined as PROFIdrive frames. Thus, a PROFIdrive frame number signifies a permanently defined grouping of PROFIdrive signals that uniquely describe the cyclic interface.

The PROFIdrive frames are fundamentally identical for both PROFIBUS and PROFINET. A manufacturer can also use additional vendor-specific frames and signals for a specific application case.

Parameter manager

The PROFIdrive parameter manager, which is operated via the acyclic communication channel, provides users with comprehensive services for accessing the PROFIdrive parameters. Besides reading and writing of parameter values, additional parameter attributes, such as a parameter description, can also be read. To improve performance in the acyclic parameter channel, a multi-parameter service is also defined for the parameter manager.

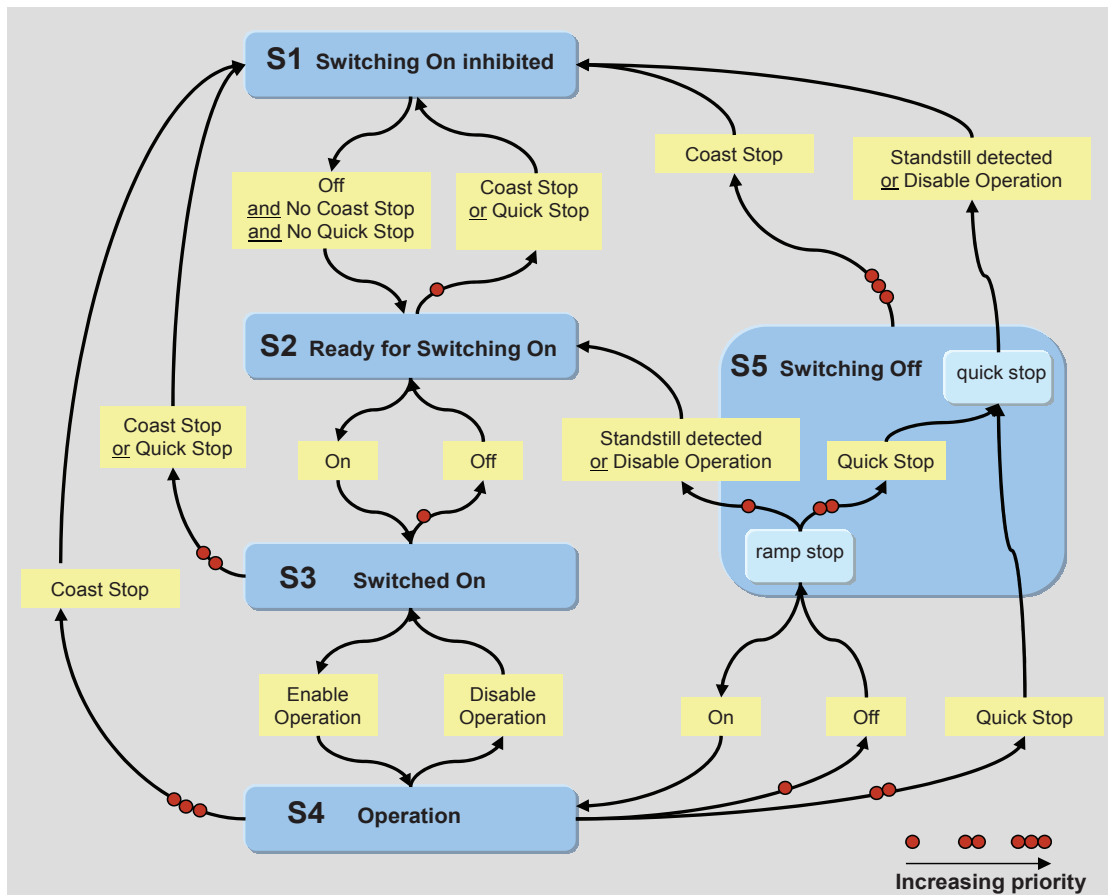


Figure 6: Basic state machine of a PROFIdrive drive axis

3. PROFIdrive parameter model

PROFIdrive defines a drive model that can already be found today (at least in part) in every drive system. The device comprises various function modules that represent the intelligence of the drive system. These function modules are assigned parameters according to Figure 4, which are used to configure and parameterize the function module (Figure 4, "Process data"). In addition, parameters are also used for internal representation of input and output values of the function module (Figure 4, "Setpoint values", "Actual values"). The function module can be integrated in the cyclic data exchange by interconnecting parameters to the cyclic interface accordingly. In addition, the PROFIdrive parameter manager enables access to every drive parameter via the acyclic data channel.

The PROFIdrive parameter channel is thus the basis for the wide range of tasks in a drive application, such as:

- Parameter assignment and commissioning
- Data backup for device replacement
- Extended diagnostics, such as trace and diagnostics buffer

3.1 Profile-specific parameters

The PROFIdrive profile uses parameter numbers 900 to 999 to define parameters uniformly for all drives, independently of the application classes. These parameters are designated as profile-specific parameters and ensure interoperability and generic identification of the drive and drive interface.

For example, functions for drive identification, fault buffer, drive control, device identification, and frame configuration and the complete list of implemented parameters are available via profile-specific parameters.

3.2 Vendor-specific parameters

Parameters not described in the profile are designated as vendor-specific parameters. These can differ according to manufacturer, drive, and the drive functionality supported. Vendor-specific parameters provide drive manufacturers the flexibility needed to implement their own specific drive functions, such as special control, technology, and monitoring functions. As a result, drive manufacturers can benefit from the advantages of a drive profile without having to forego innovations and unique selling features that provide a competitive edge.

4. PROFIdrive application model

According to Figure 2, a drive application consists basically of:

- application processes in the drive, typically motor current control and speed control (Figure 2, bottom), as well as
- application processes in the controller, which may include things like simple speed setpoint setting, position control, or path interpolation (Figure 2, top), and
- a communication system (Figure 2, middle), which provides the relevant services for data exchange and, if necessary, for synchronization between the application processes.

4.1 Application classes

The way drives are integrated into automation solutions is heavily dependent on the drive application. For this reason, the PROFIdrive profile defines 6 application classes (AK) that cover the entire drive application range. A drive device can span one or more application classes, depending on the market segment and device implementation. In this way, PROFIdrive allows flexible, manufacturer-specific design of drive products to meet particular market requirements.

Standard drive (AK1)

In the simplest case, a main setpoint (e.g., speed setpoint) is used to control the drive in PROFIBUS DP or PROFINET IO (Figure 7). Speed control is handled entirely within the drive. This application case occurs predominantly in conventional drive technology (e.g. frequency converters for pumps, fans, compressors).

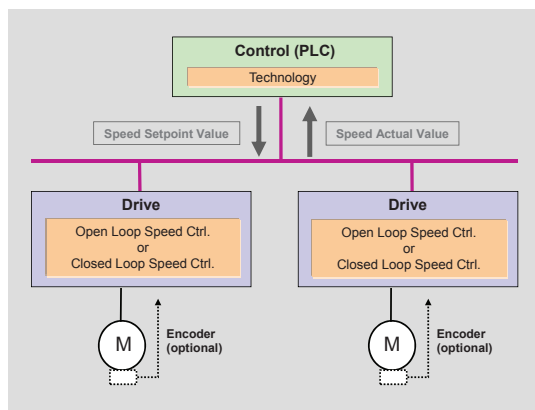


Figure 7: Application class 1

Standard drive with technological function (AK2)

The “standard drive with technological function” (Figure 8) application class offers a high degree of flexibility for implementing automation applications. With this class, the entire automation process is broken down into several sub-processes and distributed among the drives. The automation functions are then no longer run exclusively in the central controller, and the PROFIBUS DP or PROFINET IO interfaces take on the character of high-level technological interfaces. Of course, the decentralization of the technological processes requires the ability for multi-directional communication. Thus, slave-to-slave communication between the technological processes of the individual drives is possible, in particular. Specific examples of applications are setpoint cascades, winders, and speed synchronization applications for continuous processes that involve a continuously running material web.

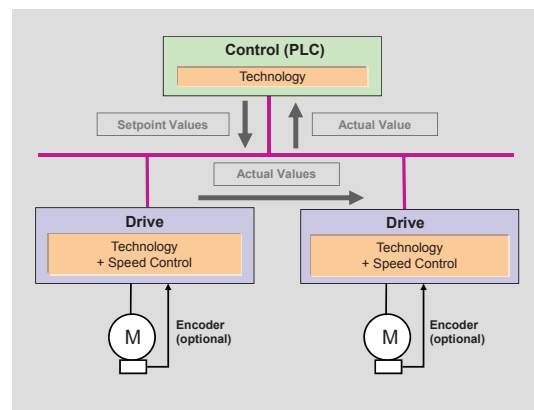


Figure 8: Application class 2

Positioning drive (AK3)

In this class, the drive features positioning control in addition to the drive control (speed and position control). The drive thus acts as an autonomous single-axis positioning drive, while the higher-level technological processes run on the controller (Figure 9). Positioning tasks are transferred to and started on the single-axis positioner and drive via PROFIBUS DP or PROFINET IO. Positioning drives have a wide range of applications, e.g. twisting bottle caps on and off during bottle filling or positioning of blades in a film cutting machine.

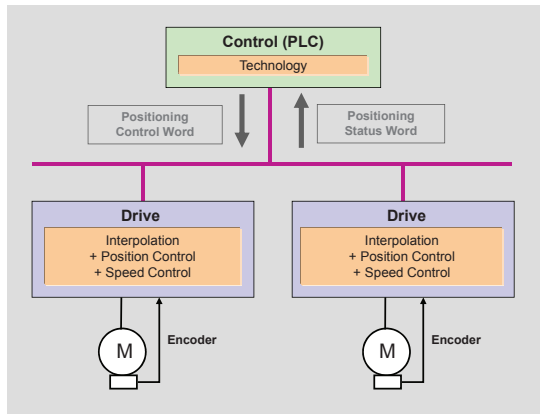


Figure 9: Application class 3

Central motion control (AK4 and AK5)

Application class 4 defines an interface between the speed setpoint interface and actual position value interface, where speed control is executed on the drive and position control on the controller, as it is typically required in robot and machine tool applications (Figure 10). The motion control for multiple axes is performed centrally, for example, by numerical control (NC). The position control loop is closed by means of the bus. Clock synchronization is required to synchronize the clocks for the position control in the controller and for the speed control in the drives (PROFIBUS DP-V2 or PROFINET with IRT).

Application class 5 is comparable to the above description except that a position setpoint interface takes the place of the speed setpoint interface.

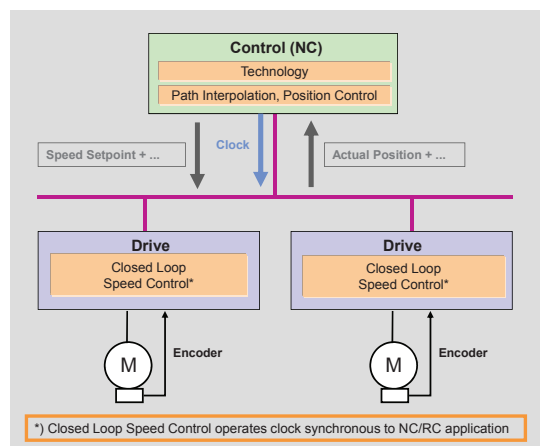


Figure 10: Application classes 4 and 5

Decentralized automation with clocked processes and electronic shaft (AK6)

Both slave-to-slave communication and clock-synchronous communication are needed to implement applications, such as “electrical gear”, “cam disc”, “angular synchronism”, and “flying saw”.

These applications are typically implemented with one master drive to which several slave drives are synchronized (Figure 11). In this context, the term “master drive” means that a drive axis provides information (e.g. actual position values) to other drive axes. The slave drives follow the motion of the master drive by coupling their own drive processes to the drive process of the master with the help of isochronous communication.

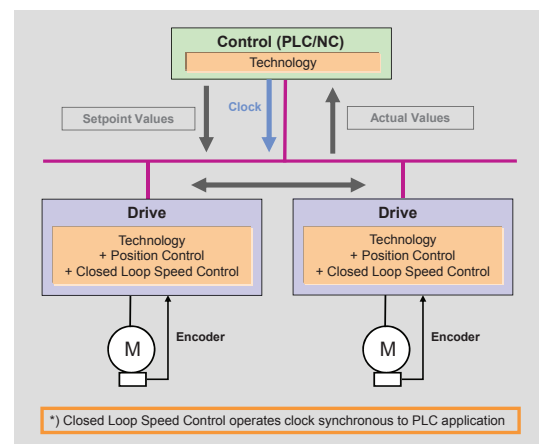


Figure 11: Application class 6

4.2 Additional functions

The application classes described in the previous section can be extended with optional additional functions.

Multiple encoder interfaces

High-precision servo drives typically have other measuring systems besides the motor encoder. PROFIdrive therefore supports up to three position encoders for a drive axis. Accordingly, this encoder information must be passed to the controller through the PROFIdrive interface, and standard frames for multiple encoder channels are provided for this purpose. On principle, the encoder interface can be combined with any application class in which it is necessary to transfer accurate actual position values to the higher-level controller. This is typically the case in application case 4 and 5.

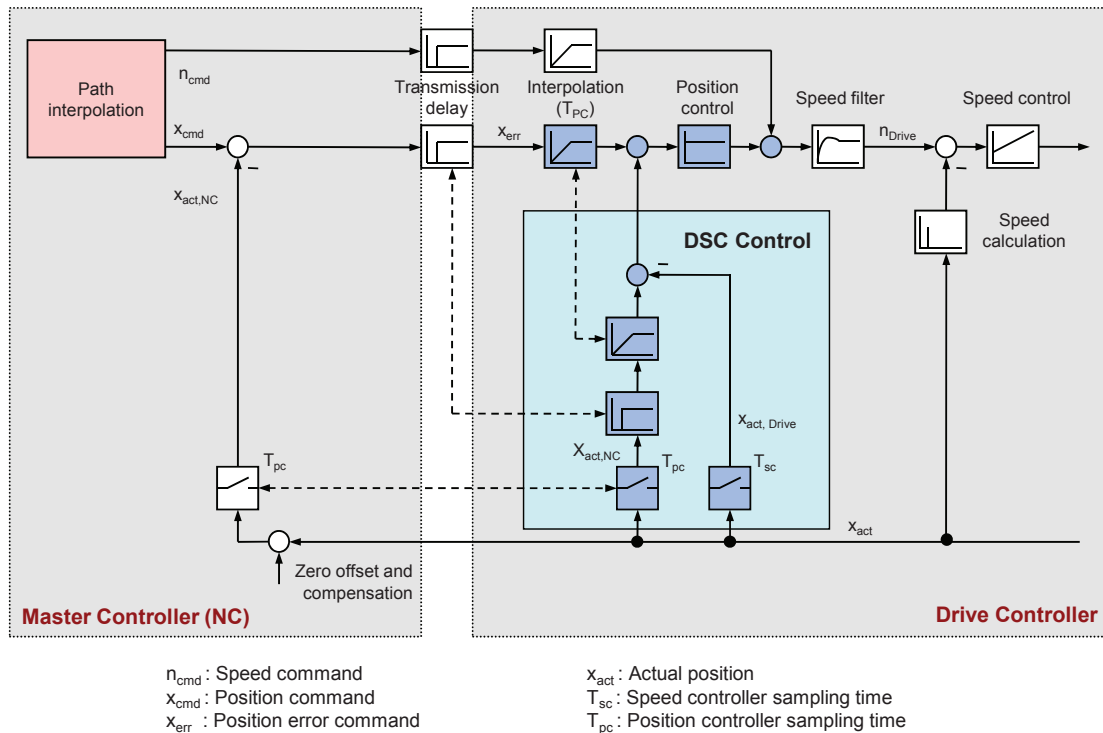


Figure 12: Dynamic servo control (DSC) concept

Dynamic servo control (DSC)

The innovative dynamic servo control concept included in the profile can be used in application class 4 to improve the dynamic closed-loop performance of mechanically rigid drive systems. This is accomplished by optional feedback of the dynamic disturbance resistance component in the position control loop directly on the drive and in the speed control cycle. For this purpose, (a) an additional feedback network is activated in the drive (Figure 12, “DSC control” box) and (b) the setpoint frame is extended to include the position deviation determined in the upper level controller. The DSC function only serves to improve the disturbance resistance of mechanically rigid drive systems (e.g., direct drives). In conventional drive systems with low mechanical natural frequencies, DSC is, on principle, unable to improve the control dynamics.

5. Diagnostics

Figure 13 shows the range of drive diagnostic functions available with PROFIdrive. These are generally organized into mechanisms for handling warnings and for handling faults. This two-level concept enables emerging problems to be signaled at an early stage so that preventive actions can be taken in time. Drives can thus be easily incorporated into a plant-wide maintenance concept.

5.1 Warnings

Warnings are a form of message that is acknowledged automatically as soon as the cause has been addressed. They provide advance warning so that appropriate measures can be taken in good time for the purpose of preventing a fault condition. On principle, several warnings can exist at the same time (e.g. “elevated motor winding temperature” and “DC link voltage too low”). Unlike errors, warnings do not cause the drive to stop.

The profile defines parameters for the warning mechanism, each of which represents a so-called warning word. Each warning that occurs within a drive or drive axis is mapped to one bit of the warning word.

5.2 Faults

A fault condition in the drive (e.g. overtemperature) always triggers a device-specific response, i.e., the drive will generally be shut down. At the same time, one or more fault messages describing the fault condition will be entered in the fault buffer (Figure 13).

A fault entry in the PROFIdrive fault buffer consists of the device-specific fault number, an optional application-specific fault code, and an optional associated value or fault time (Figure 14). The device-specific fault number and fault code information enables very detailed device-specific diagnostics.

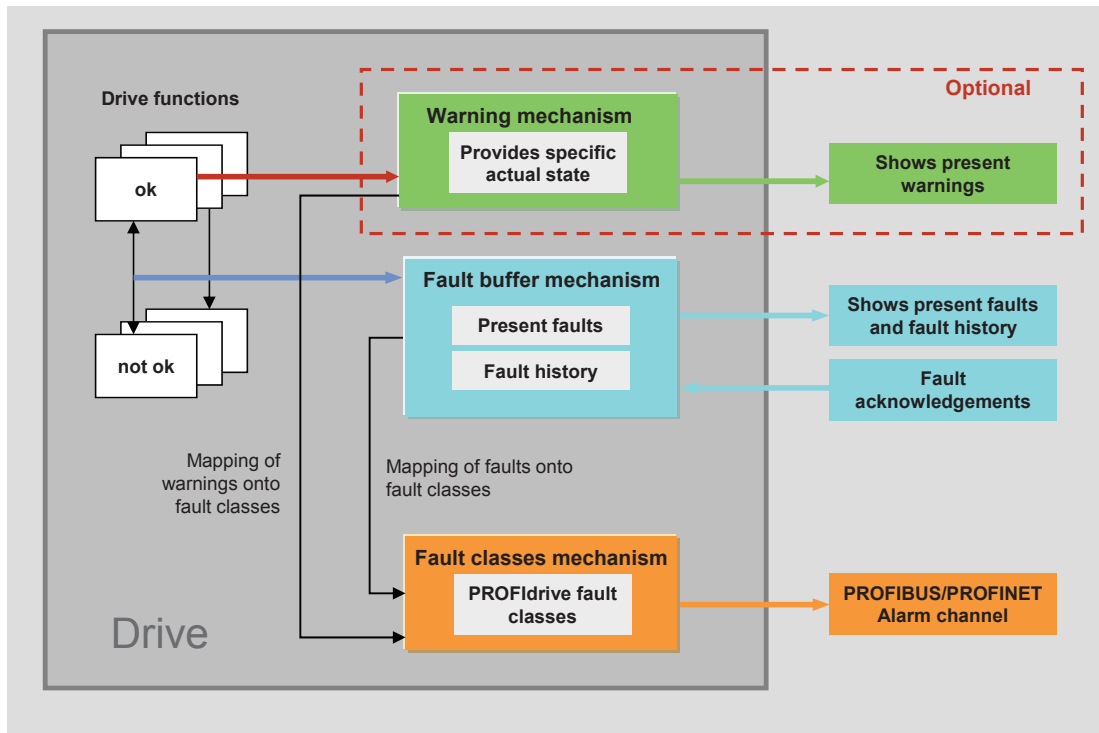


Figure 13: PROFIdrive diagnostic functions

Whenever the cause of a fault is eliminated, the user must always explicitly acknowledge the fault by means of a command. The acknowledged fault is not deleted but rather archived in the fault buffer, which allows subsequent tracking of faults. The size of the fault buffer can be specified on a device-specific basis.

5.3 Integration into standard diagnostic mechanisms

For cross-vendor diagnostics, PROFIdrive provides a simplified profile-specific diagnostics view of PROFIdrive fault classes (Figure 13, "Fault classes mechanism"), in addition to the detailed diagnostics view of fault buffers and warning words. With the help of the PROFIdrive fault classes, it is possible to achieve a uniform and consistent diagnostics view for all PROFIdrive drives, in which fault classes are structured according to typical modules and function blocks of a drive and which supports users and service personnel in carrying out fast, systematic troubleshooting.

These warnings and faults are signaled as alarm objects (fault, maintenance demanded, maintenance required) to the higher-level controller via the standard PROFINET alarm channel. This ensures consistent integration of the PROFIdrive drive into the standard diagnostics system of PROFIBUS and PROFINET.

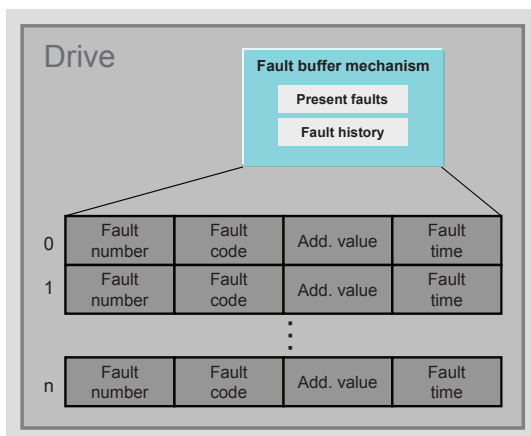


Figure 14: Specification of the PROFIdrive fault buffer

6. Additional profiles

In addition to traditional drive functions such as speed, position, and motion control, drives are integrating more and more additional functions, which were previously implemented externally but are now included in the drive. Two typical examples of this are drive-based safety technology and energy management functions. These additional drive functions require new communication relationships with additional communication profiles. Drive technology is therefore a typical example of PROFIBUS and PROFINET devices that not only support their original application profile but also other additional profiles (common application profiles). To ensure smooth interaction between these additional functions and the basic PROFIdrive functions, definitions and specifications regarding this interaction have been included in PROFIdrive.

6.1 PROFIsafe

Integration of safety technology into the drive is beneficial because it eliminates the need for external monitoring devices, thereby reducing wiring expenses and space requirements. From this point of view, the PROFIdrive and PROFIsafe

profiles are the perfect complement to one another. Together, the two profiles create a harmonious unit that enables the same bus to be used to control safety functions and standard drive functions (Figure 15).

The safety functions on the drive are controlled by means of cyclic frame exchange with a higher-level safety user program via a safe PROFIsafe transmission channel. For purposes of efficient operation, it is very important to coordinate the sequences on the F-controller with those on the drive control. Thus, for example, preliminary measures such as speed reduction or motion restrictions must be taken on the motion control drive before selecting safety functions, which explains why the drive control requires direct information exchange with the F-controller and with the safety process on the drive (additional safety information). In this case, PROFIdrive defines standardized flexible extensions for standard frames that can be used in all application classes.

The shared-device concept of PROFINET IO enables standard and safety functions to be distributed among different physical controllers/PLCs, thereby significantly expanding the usability of integrated safety technology.

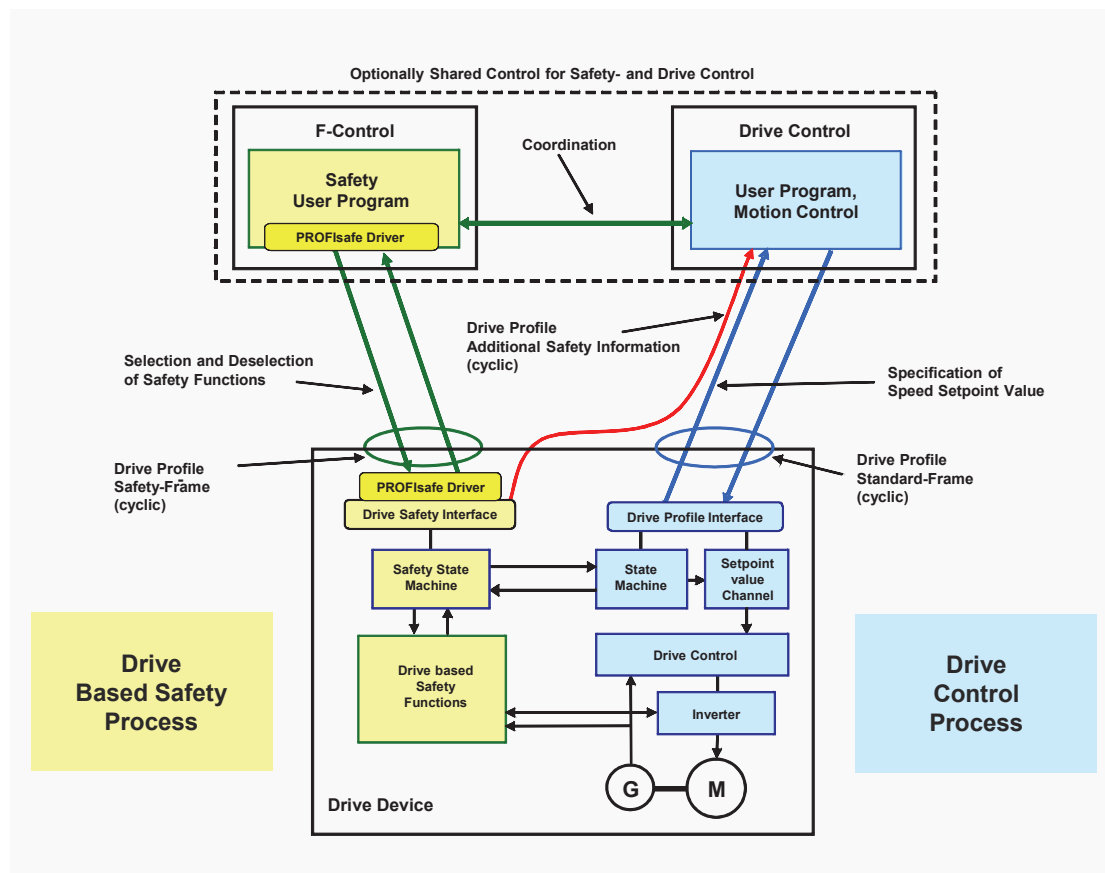


Figure 15: Integration of drive-based safety in the drive device

6.2 PROFIenergy

Electric drives account for a large portion of industrial power demand. With continuously rising energy prices, this cost factor is driving up production costs more and more. On the positive side: this represents an enormous savings opportunity for practically all companies. Especially in high energy-consuming areas, significant savings are possible through the use of energy-efficient drives and intelligent energy management. This is where PROFIenergy comes in by providing a uniform, device-/vendor-neutral interface for controlling energy saving functions in PROFINET devices. Figure 16 shows the possible uses of PROFIenergy for a PROFIdrive drive.

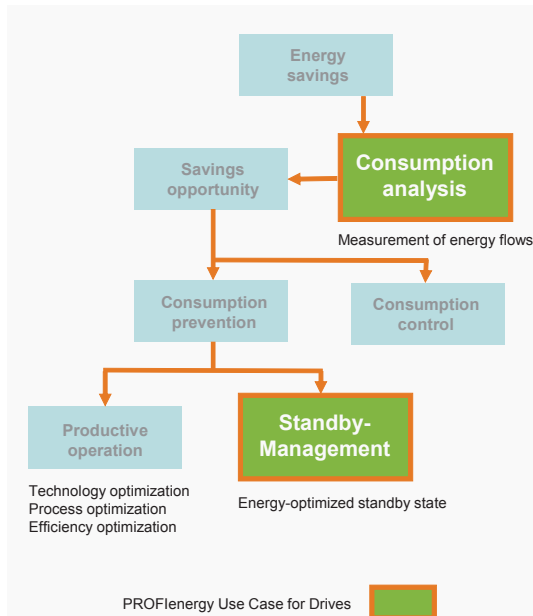


Figure 16: Starting points for energy savings in the field drive technology

Consumption analysis

For the consumption analysis, it is necessary to systematically measure the energy flows in the plant using a higher-level energy management system. Modern drive technology is equipped with sensors for current and speed control and, thus, performance data measurements already exist. However, up to now these data have not been made available at all or have been provided only a manufacturer-specific basis. Standardization of the energy information functions in PROFIenergy means that the drive can be easily integrated into the consumption analysis, thereby eliminating the need for additional costly energy measuring devices. In addition, the performance and energy measurements for the drive can also be used for process and plant diagnostics.

Standby management

The standby management function of PROFIdrive can be used to place the idle PROFIdrive drive in an energy-optimized standby state. In so doing, PROFIenergy communicates the expected idle time duration to the drive. The drive can shut down subprocesses or subcomponents as appropriate based on the idle time duration. To activate standby state, the drive must be deactivated by its application. That is, before a drive is placed in standby state, it must first be switched to S2 mode by its drive control.

7. Mapping to PROFIBUS and PROFINET

7.1 Mapping to PROFIBUS DP

If PROFIdrive is being used on PROFIBUS DP, then the PROFIdrive base model will be mapped to this communication system in accordance with Figure 17. For standard applications in application classes 1 and 3, PROFIBUS DP-V1 is sufficient. For applications with clock synchronization and slave-to-slave communication (AK4, AK6), PROFIBUS DP-V2 is required.

The devices of the PROFIdrive base model are mapped as follows:

- The PROFIdrive controller corresponds to the class 1 PROFIBUS DP Master
- The PROFIdrive peripheral device (P device) corresponds to the PROFIBUS DP Slave
- The PROFIdrive supervisor corresponds to the class 2 PROFIBUS DP Master

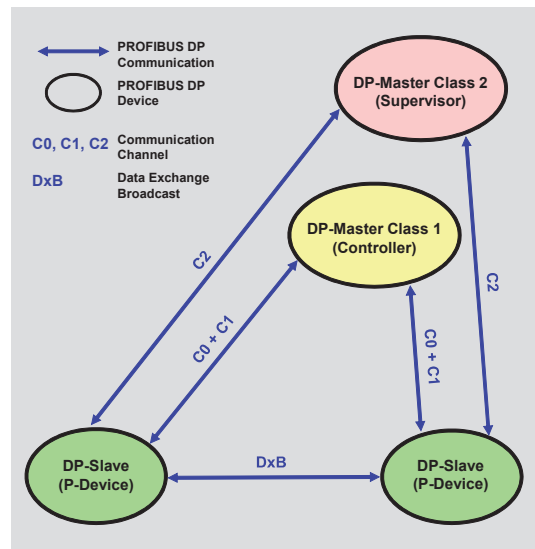


Figure 17: Mapping of base model to PROFIBUS DP

7.2 Mapping to PROFINET IO

In version 4 or higher, the PROFIdrive profile can also be used with the PROFINET IO communication system.

If PROFIdrive is being used on PROFINET, then the PROFIdrive base model is mapped to PROFINET IO in accordance with Figure 18. Either PROFINET IO with RT or IRT is used depending on the application.

The devices of the PROFIdrive base model are mapped as follows:

- The PROFIdrive controller corresponds to the PROFINET IO Controller
- The PROFIdrive peripheral device (P device) corresponds to the PROFINET IO Device
- The PROFIdrive supervisor corresponds to the PROFINET IO Supervisor

The control application processes run on the PROFINET IO Controller. A drive with one or more drive axes is referred to as a drive unit and is mapped to PROFINET IO as an IO Device. A PROFINET IO application relationship (IOAR) is established between the IO Controller and the drive unit of an IO Device (Figure 18). This is used to define cyclic data exchange, parameter access, and the alarm channel.

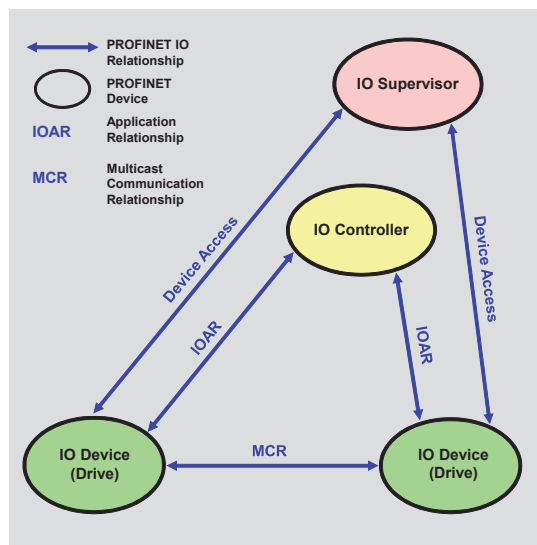


Figure 18: Mapping of base model to PROFINET IO

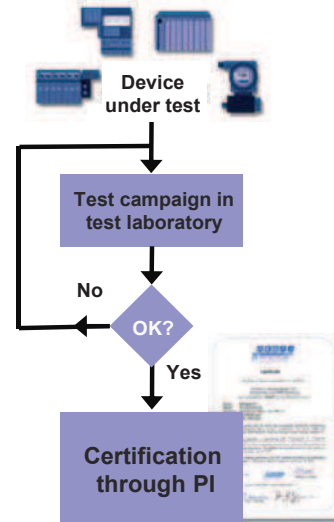


Figure 19: Procedure for obtaining a certificate

8. Conformity and certification

In order for products of different types and manufacturers to perform their automation tasks reliably, their behavior on the bus must comply fully with the standard. This requires error-free implementation of the communication protocols and application profiles by the device manufacturer. In spite of taking great care, manufacturers of these complex devices cannot always guarantee that this is the case, so that an independent certification of the bus interface and the device behavior is necessary.

8.1 Quality control through certification

To ensure that products are implemented in accordance with the relevant standards, PI has established a quality assurance system whereby certificates are issued for products that are shown to meet the necessary requirements on the basis of a test report. The basic process for this device certification is shown in Figure 19.

The aim of certification is to provide users with an assurance that devices from different manufacturers are capable of fault-free operation when used together. For this purpose, the devices are tested by independent test laboratories under lifelike conditions in accordance with the appropriate test level. This makes it possible to identify any misinterpretation of the standards by developers at an early stage so that manufacturers can take the necessary remedial action before devices are implemented in the field. The test also examines the device's compatibility with other certified devices. Upon successful completion of the test, the manufacturer can apply for a device certificate.

The certification procedure is based on EN 45000. In accordance with the requirements of this standard, the test laboratories accredited by PI are not linked to any specific manufacturer. Only the PITLs (PI Test Labs) can perform the device tests required for awarding the certificate. The test procedure and the certification process are described in the relevant PI guidelines. Together, the quality system and accreditation procedure ensure a consistent level of testing quality in all PITLs.

8.2 PROFIdrive certification

PI certification ensures that the devices of different manufacturers with different functional scopes conform to the PROFIdrive profile specification. The test report of a PITL serves as the basis for awarding a PROFIdrive certificate.

The PITL uses the PROFIdrive Profile Tester to carry out the certification test. The Profile Tester allows the tests to be performed automatically to a great extent.

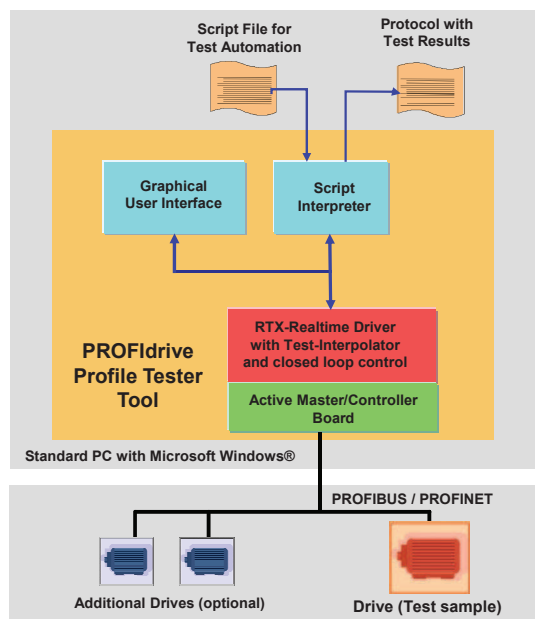


Figure 20: Conformity test with the PROFIdrive Profile Tester

Figure 20 shows the basic structure of the PROFIdrive Profile Tester. The drive to be tested (test sample) is connected to the Profile Tester and undergoes an automated test based on script descriptions. The results of the individual test steps are recorded automatically in a corresponding log.

The PROFIdrive Profile Tester is available to device manufacturers for development support and for preliminary testing purposes. It thus helps manufacturers to achieve fast, systematic implementation of the PROFIdrive profile into products.

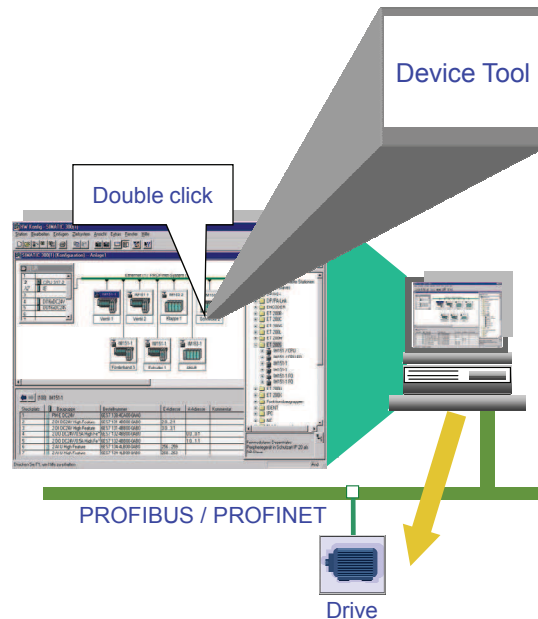


Figure 21: Easy engineering of drive integration using TCI

9. Engineering

9.1 Tool Calling Interface (TCI)

Today's powerful drives contain a wide range of functions, from the control functionality for current, voltage, and speed and technological functions such as ramp generators and various monitoring activities all the way to logic functions for sequential control of simple operations. Each of these functions requires parameter assignment of varying complexity. Commissioning tools that are adapted to the respective devices are available to drive manufacturers for this purpose.

PI has developed the tool calling interface (TCI) concept for the purpose of integrating drive commissioning tools into the central engineering system of a plant (typically the engineering tool of the PLC). The TCI can be used to call existing drive commissioning tools from the central PLC engineering (Figure 21). The advantage of this is that a drive specialist can continue to access his familiar user interface to commission and diagnose drives. On the other hand, the TCI concept ensures that the configuration data of commissioning tools integrated in this way are stored in a central PLC project.

The TCI also specifies an open communication channel from the drive commissioning tool through the PLC programming system, which allows the familiar drive commissioning tool to be used even for online access.

10. User benefits

Well over 30 million PROFIBUS devices are currently installed. Therefore, the top priority for development has always been and will continue to be ensuring that the system remains fully compatible with the devices that are already on the market.

Thanks to the identical application view and common base and application models, it is even possible to switch over from PROFIBUS to PROFINET without any major difficulties.

The following statements sum up the user benefits perfectly: "Integration instead of interfaces" and "One technology instead of multiple technologies".

It is on this basis that PROFIdrive is able to achieve significant cost reductions over the life cycle of a plant or machine for: planning, installation, operation, and maintenance as well as expansions and upgrades. The integration of PROFIdrive is made possible by the use of the standard communication protocols PROFIBUS DP and PROFINET IO, which are capable of meeting the diverse requirements of production and process automation and motion control and safety applications in equal measure.

The PROFIdrive application profile is oriented to the special requirements of drive technology in conjunction with the PROFIBUS and PROFINET communication systems and offers unrivaled scalability of communication performance. It creates multiple benefits not only for the device and sys-

tem manufacturers but also for integrators and end users.

There are considerable cost advantages to be achieved by using a single, integrated communication solution for the drives, the controller, the I/Os, and operator control and monitoring.

The integrated approach pays off not only for planning and installation but also for training, documentation, and maintenance, because only a single technology is involved.

Drive tasks of every conceivable type, each of which will have its own specific requirements, can be addressed in a standard yet flexible way thanks to the integrated technology, the integrated application programs, and the scalable communication performance.

The need for user-friendliness is fully met by ensuring the interoperability and interchangeability of devices from different manufacturers and the availability of standardized program libraries from well-known PLC manufacturers. The reliable operation of the devices is guaranteed thanks to independent certification by accredited test laboratories.

Because PROFIdrive has been standardized in IEC 61800-7, international acceptance is guaranteed and investments enjoy extensive long-term protection. This protection is further reinforced by the fact that PROFIdrive is based on the world-leading PROFIBUS and PROFINET technologies. The fact that the profile is also recommended by user organizations such as OMAC and VIK NAMUR has a similar positive effect.

11. PROFIBUS & PROFINET International (PI)

As far as maintenance, ongoing development, and market penetration are concerned, open technologies need a company-independent institution that can serve as a working platform. This was achieved for the PROFIBUS and PROFINET technologies by the founding of the PROFIBUS Nutzerorganisation e.V. (PNO) in 1989 as a non-profit interest group for manufacturers, users, and institutions. The PNO is a member of PI (PROFIBUS & PROFINET International), an umbrella group which was founded in 1995. With its 27 regional PI associations (RPA) and approximately 1,400 members, PI is represented on every continent and is the world's largest interest group for the industrial communications field (Figure 22).

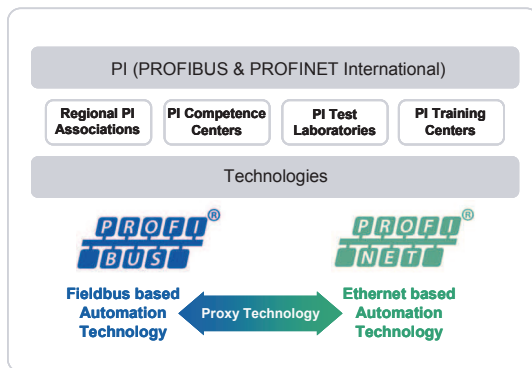


Figure 22: PROFIBUS & PROFINET International (PI)

11.1 Responsibilities of PI

The key tasks performed by PI are:

- Maintenance and ongoing development of PROFIBUS and PROFINET.
- Promoting the worldwide use of PROFIBUS and PROFINET
- Protection of investment for users and manufacturers by influencing the development of standards.
- Representation of the interests of members to standards bodies and unions.
- Providing companies with worldwide technical support through PI Competence Centers (PICC).
- Quality control through product certification based on conformity tests at PI Test Labs (PITL).
- Establishment of a worldwide training standard through PI Training Centers (PITC).

Technology development

PI has handed responsibility for technology development over to PNO Germany. The Advisory Board of PNO Germany oversees the development activities. Technology development takes place in the context of more than 50 working groups with input from more than 500 experts mostly from engineering departments of member companies.

Technical support

PI supports more than 40 accredited PICCs worldwide. These facilities provide users and manufacturers with all manner of advice and support. As institutions of the PI, they are independent service providers and adhere to the mutually agreed regulations. The PICCs are regularly checked for their suitability as part of an individually tailored accreditation process. A list of the current PICC locations can be found on the web site.

Certification

PI supports 10 accredited PITLs worldwide for the certification of products with a PROFIBUS/ PROFINET interface. As institutions of the PI, they are independent service providers and adhere to the mutually agreed regulations. The testing services provided by the PITLs are regularly audited in accordance with a strict accreditation process to ensure that they meet the necessary quality requirements. A list of the current PITL locations can be found on the web site.

Training

The PI Training Centers have been set up with the specific aim of establishing a global training standard for engineers and technicians. The accreditation of the Training Centers and the experts that are based there ensures the quality of the training and, thus, the quality of the engineering and installation services for PROFIBUS and PROFINET. A list of the current PITC locations can be found on the web site.

Internet

Current information on PI and the PROFIBUS and PROFINET technologies is available on the PI web site www.profibus.com. This includes, for example, an online product guide, a glossary, a variety of web-based training content, and the download area containing specifications, profiles, installation guidelines, and other documents.

Room for Notes:

Room for Notes:

Room for Notes:

PROFIdrive System Description – Technology and Application

Version May 2011

Order number 4.322

Publisher

PROFIBUS Nutzerorganisation e.V. PNO
Haid-und-Neu-Str. 7
76313 Karlsruhe
Germany
Tel.: +49 (0)721 / 96 58 590
Fax: +49 (0)721 / 96 58 589

germany@profibus.com

Exclusion of liability

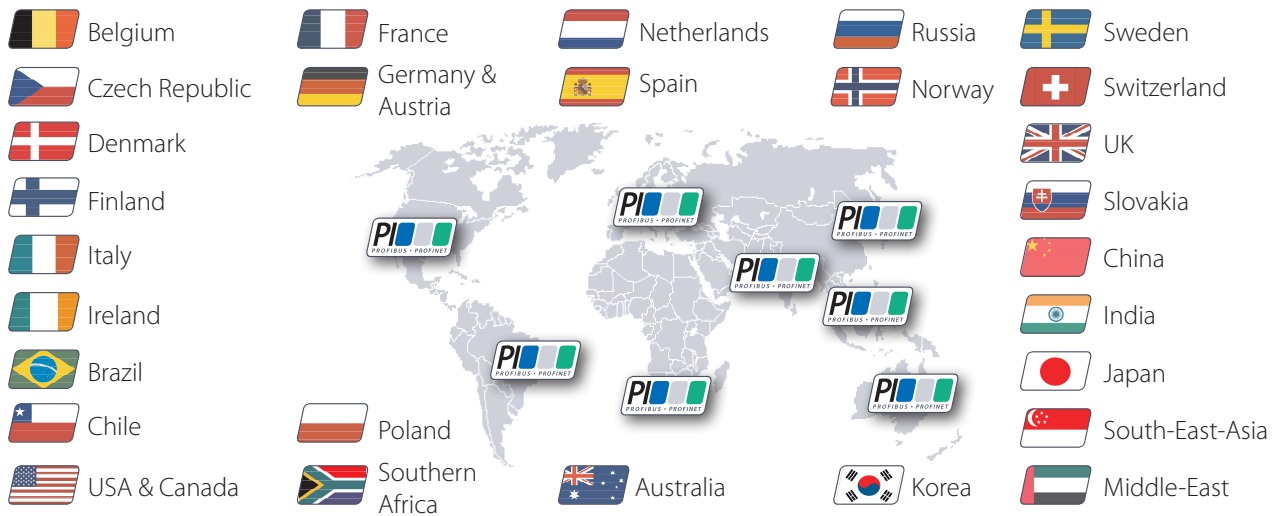
PROFIBUS Nutzerorganisation has examined the contents of this brochure carefully. Nevertheless, errors can not be excluded. Liability of PROFIBUS Nutzerorganisation is excluded, regardless of the reason. The data in this brochure is checked periodically, however. Necessary corrections will be contained in subsequent versions. We gratefully accept suggestions for improvement.

Terms used in this brochure may be trade marks and their use by third parties for any purposes may violate the rights of the owner.

This brochure is not a substitute for the respective IEC standards, e.g. IEC 61158 and IEC 61784, and the associated specifications and guidelines of PROFIBUS & PROFINET International. In case of doubt, these documents take precedence.

© Copyright by PROFIBUS Nutzerorganisation e.V. 2011. All rights reserved.

Worldwide support with PI!



More information & contact details: www.profibus.com/community

Regional PI Associations (RPA)

Regional PI Associations represent PI around the world and are your personal local contacts. They are responsible for local marketing activities for purposes of spreading PROFIBUS, PROFINET, and IO-Link, which include trade fair appearances, seminars, workshops, and press conferences, as well as public relations activities.

PI Competence Center (PICC)

The PI Competence Centers collaborate closely with the RPAs and are your first point of contact when you have technical questions. The PICCs are available to assist you in the development of PROFIBUS or PROFINET devices and the commissioning of systems, and they provide user support and training.

PI Training Center (PITC)

PI Training Centers support users and developers in gaining experience with the PROFIBUS and PROFINET technologies and their possible uses. Individuals who successfully complete the final exam of the Certified Installer or Engineer course receive a certificate from PI.

PI Test Labs (PITL)

PI Test Labs are authorized by PI to conduct certification tests for PROFIBUS and PROFINET. You receive a certificate from PI for your product once it passes the test. The certification program plays a major role in the sustainable quality assurance of products and thus assures that the systems in use exhibit a high level of trouble-free operation and availability.

PROFIBUS Nutzerorganisation e. V. (PNO)
Member of PROFIBUS & PROFINET International
Haid-und-Neu-Str. 7 • 76131 Karlsruhe
Phone +49 721 96 58 590 • Fax +49 721 96 58 589
www.profibus.com • www.profinet.com

